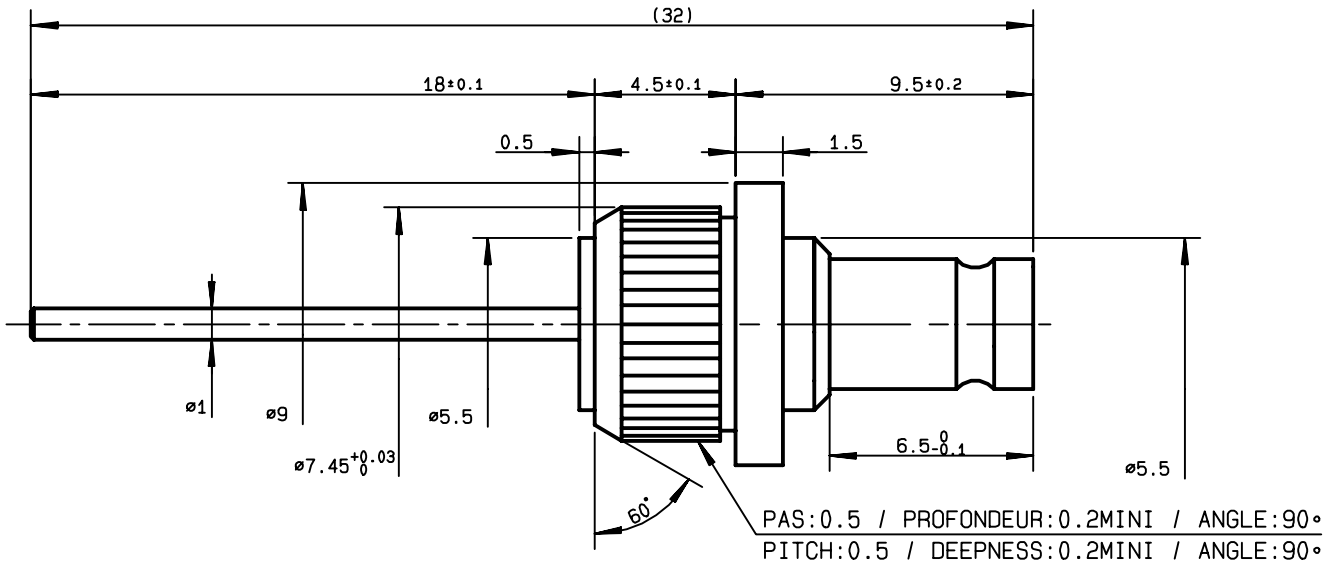


**STRAIGHT PRESS MOUNT JACK RECEPTACLE
FRONT MOUNT WITH STRAIGHT TERMINAL**

R120.402.200
SERIES C1.0-2.3



NOMINAL IMPEDANCE	50 Ω
FREQUENCY RANGE	0-4 GHz
TEMPERATURE RATING	-55/+155 °C
V.S.W.R	1.2 + 0 x F(GHz)Maxi
RF INSERTION LOSS	NA √F(GHz) dB Maxi
VOLTAGE RATING	350 Veff Maxi
DIELECTRIC WITHSTANDING VOLTAGE	1000 Veff Mini
INSULATION RESISTANCE	5000 MΩMini
HERMETIC SEAL	NA Atm.cm ³ /s
LEAKAGE (pressurized only)	NA
MECHANICAL DURABILITY	100 Cycles
WEIGHT	2.9 gr
SPECIFICATION	AEK 1982

CABLES :

OTHERS CHARACTERISTICS

EXTENDED SOLDER CONTACT CAN BE BENDED

CABLE RETENTION	NA	N Mini
CENTER CONTACT RETENTION		
Axial force - mating end	10	N Mini
Axial force - opposite end	10	N Mini
Torque	NA	cm.N Mini
RECOMMENDED TORQUES		
Mating	NA	cm.N
Panel nut	NA	cm.N
Clamp nut	NA	cm.N

CONNECTOR PARTS	MATERIALS	FINISH	(all values are given) in micrometers
BODY	BRASS	GOLD 0.2 OVER NICKEL 2	
OUTER CONTACT			
CENTER CONTACT	BRASS	GOLD 0.2 OVER NICKEL 2	
INSULATOR	PTFE	-	
GASKET		-	
OTHERS PIECES			

RAMBERT

ISSUE 0204A01	CREATION DATE 30/03/1998	FILE PART-NUMBER 98-0104-305
-------------------------	------------------------------------	--



RADIALL®

The information given here is subject to change without notice.
Design changes may be in order to improve the product .

Connect to the future